

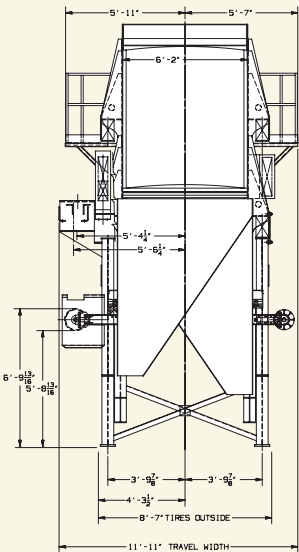
Portable Incline Screening Plant



TXD620

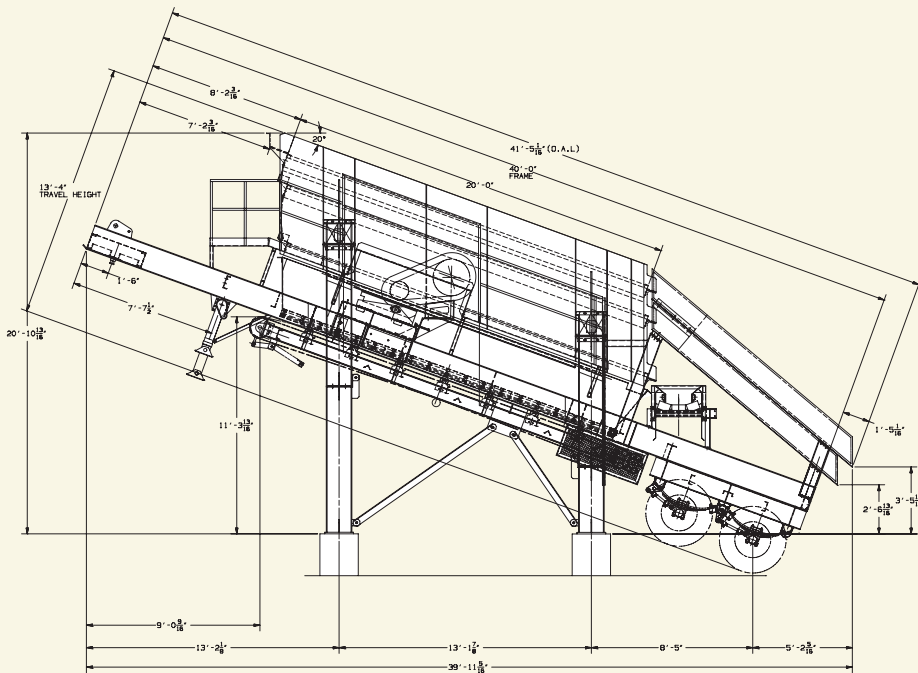
**6' X 20' TRIPLE DECK PORTABLE
INCLINE SCREENING PLANT**

TXD620 | 6' X 20' TRIPLE DECK PORTABLE INCLINE SCREENING PLANT



TOTAL WEIGHT: 42,000 lbs.
 KING PIN WEIGHT: 13,500 lbs.
 TANDEM SUSPENSION WEIGHT: 28,500 lbs.

- 6'x20' triple deck inclined screen with replaceable Hardox® abrasion resistant feedbox and discharge lip liners. Decks designed to accommodate wire cloth.
- Chassis features heavy-duty I-beam construction with four braced support legs. Chassis includes a double-axle suspension, eight 11:00 R 22.5 twelve-ply tires, air brakes, mud flaps, and tail lights.
- 40 HP, 1800 rpm, TEFC electric motor for screen drive, accessible by ladder and walkway around three sides of the screen.
- Discharge chute is made from 1/4" plate and is lined with Hardox® abrasion resistant plate in wear areas. Top and middle deck-overs chute to either side of screening plant.
- 42" x 20' long channel-type under screen conveyor with 10 HP 1800 TEFC electric motor. 5" diameter, Cema B troughing return idlers with three-ply belting.
- 24" x 10'9" long reversible cross conveyor on the bottom deck with a 5 HP 1800 rpm electric motor, reducer, backstop, sheaves, V-belts and drive guards. 5" diameter Cema B troughing idlers with two-ply belting.
- All standard guards provided. Note: Terex® Simplicity does not warrant that our guards will meet all local codes. It is the responsibility of the end user to have them checked by a local inspector.
- Painted Terex® White.
- NOTE: Dimensions and specifications are subject to change without notice.



Effective Date: February, 2008. Product specifications and prices are subject to change without notice or obligation. The photographs and/or drawings in this brochure are for illustrative purposes only. Refer to the appropriate Operator's Manual for instructions on the proper use of this equipment. Failure to follow the appropriate Operator's Manual when using our equipment or to otherwise act irresponsibly may result in serious injury or death. The only warranty applicable to our equipment is the standard written warranty applicable to the particular product and sale and Terex makes no other warranty, express or implied. Products and services listed may be trademarks, service marks or trade-names of Terex Corporation and/or its subsidiaries in the USA and other countries and all rights are reserved. "Terex" is a registered trademark of Terex Corporation in the USA and many other countries. Copyright © 2008 Terex Corporation.



212 South Oak Street | Durand, Michigan 48429
 TEL (989) 288-3121 | FAX (989) 288-4113
 WEB terex.com | simplicityengineering.com